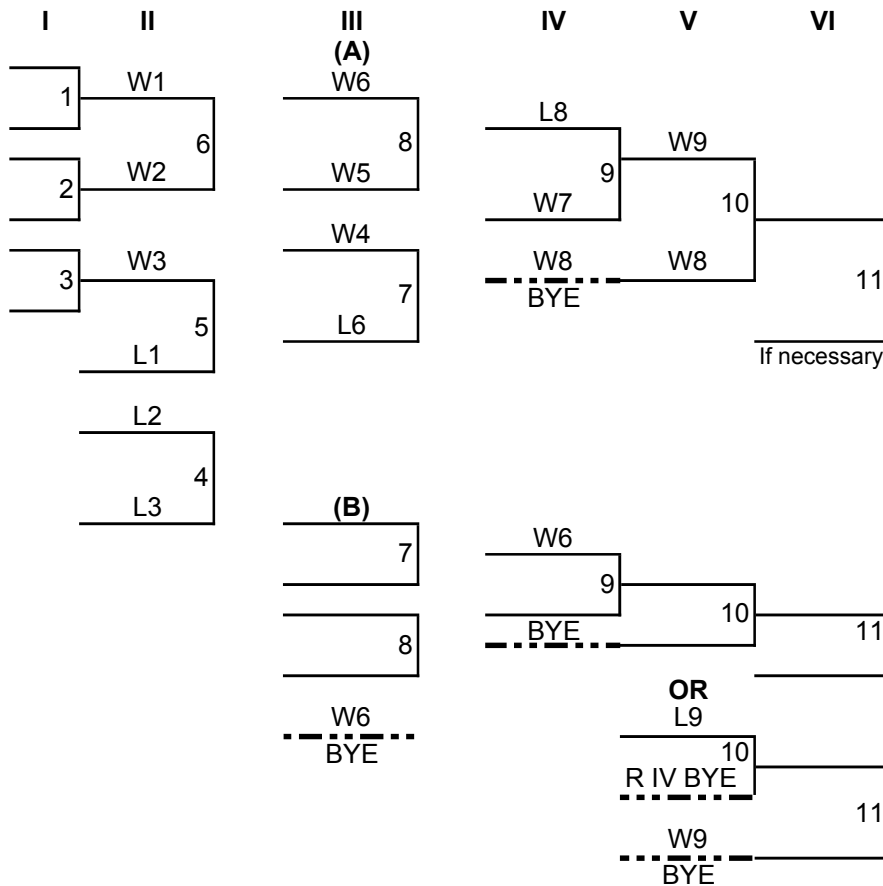


SCHEDULE TO BE FOLLOWED FOR A 6 TEAM TOURNAMENT



Round I: Draw for pairings.

Round II: L2 plays L3. W3 plays L1. W1 plays W2.

Note: After Round II, if W5 is undefeated, only 4 teams will remain. Use Bracket A. However, if W3 loses G5, there will be 5 teams remaining. Use Bracket B.

Bracket A Schedule:

Round III: L4 and L5 have been eliminated. W4 plays L6. W5 plays W6.

Round IV: L7 has been eliminated. Only 3 teams remain, 1 is undefeated with a (3-0) record. The undefeated team automatically receives the bye. L8 plays W7.

Round V: W9 plays W8.

Round VI: If necessary, there will be a sudden death championship game.

Bracket B Schedule:

Round III: L4 has been eliminated. 5 teams remain, 1 is undefeated. The undefeated team (W6) receives the bye. Match the 4 remaining teams, avoiding previous match-ups if possible. Where avoiding previous match-ups is not possible, a draw shall be held to determine pairings.

Round IV: L7 and L8 have been eliminated. 3 teams remain, 1 is undefeated. W7 and W8 draw for the bye. The draw loser plays W6.

Round V: 2 or 3 teams remain. If 2 teams remain, W9 plays the bye team. If 3 teams remain, W9 receives the bye and L9 plays the Round IV bye team.

Round VI: If necessary, there will be a sudden death championship game.